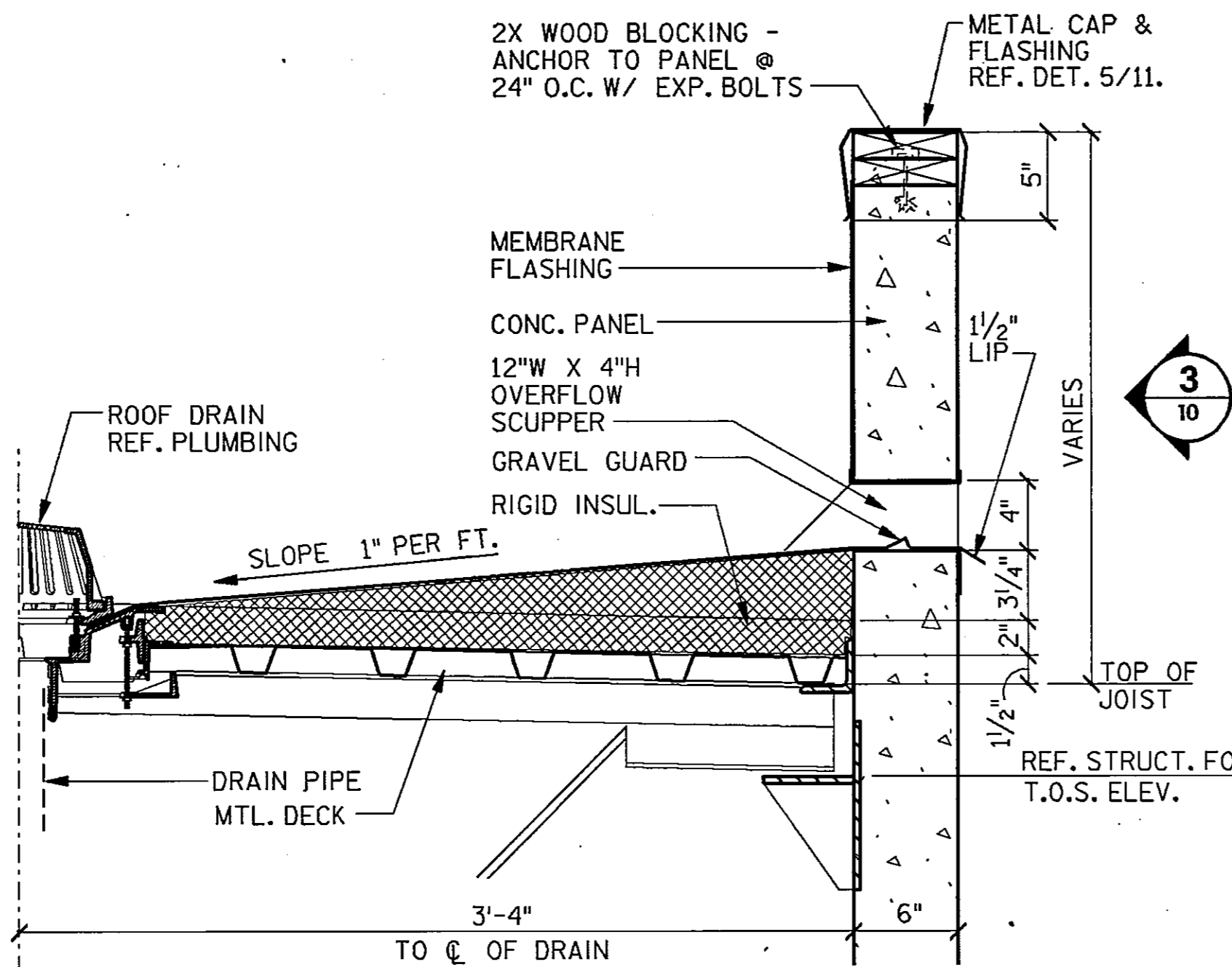
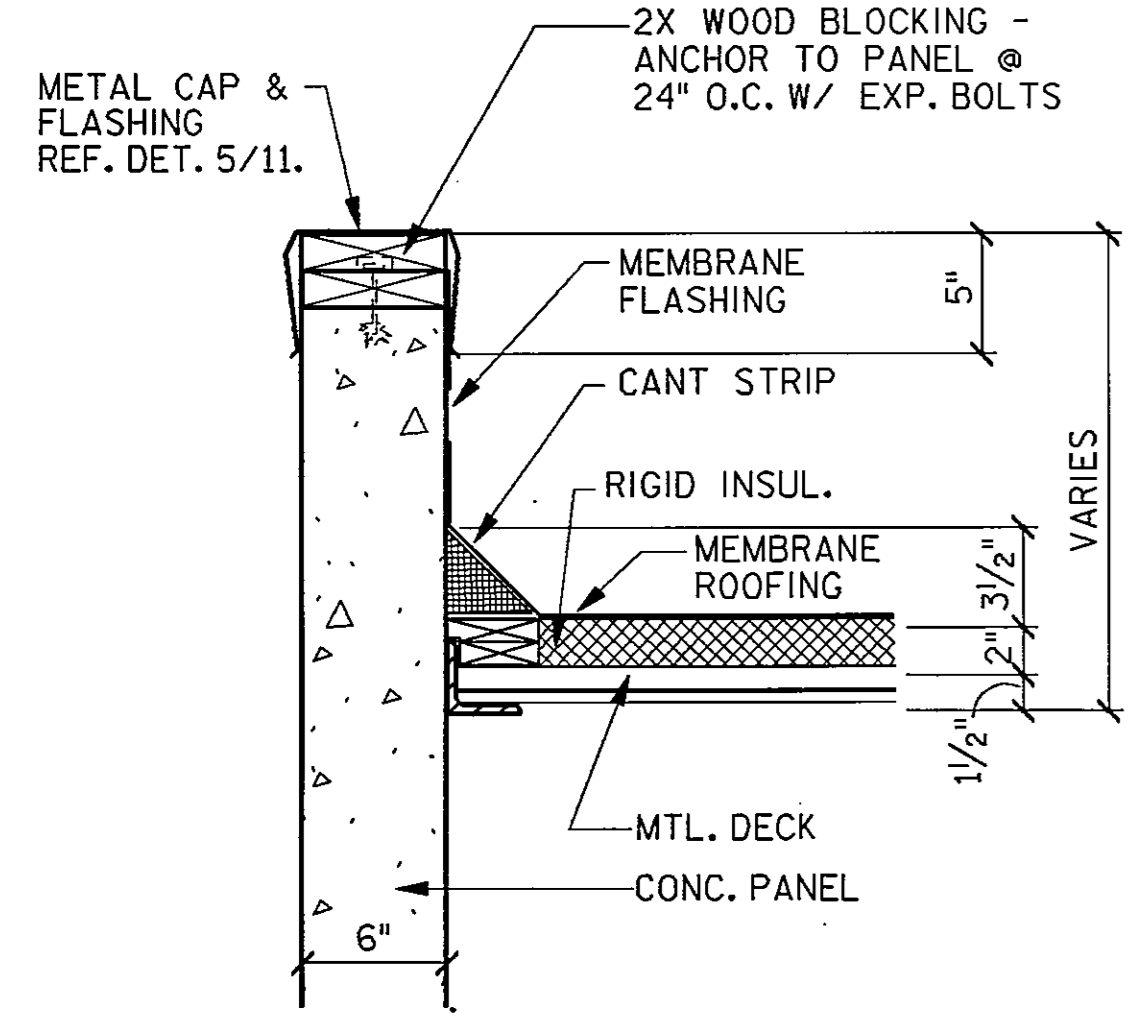


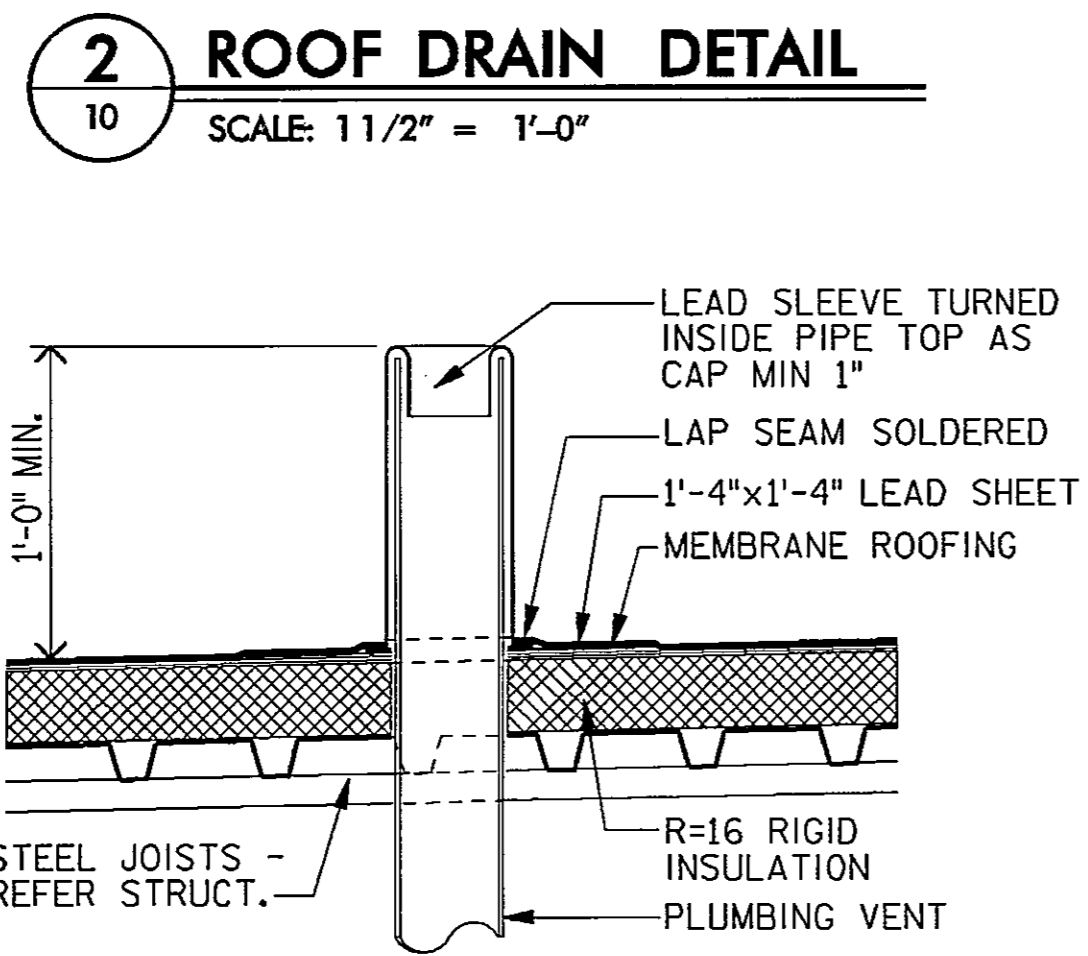
1 CURB DETAIL
SCALE: 1 1/2" = 1'-0"



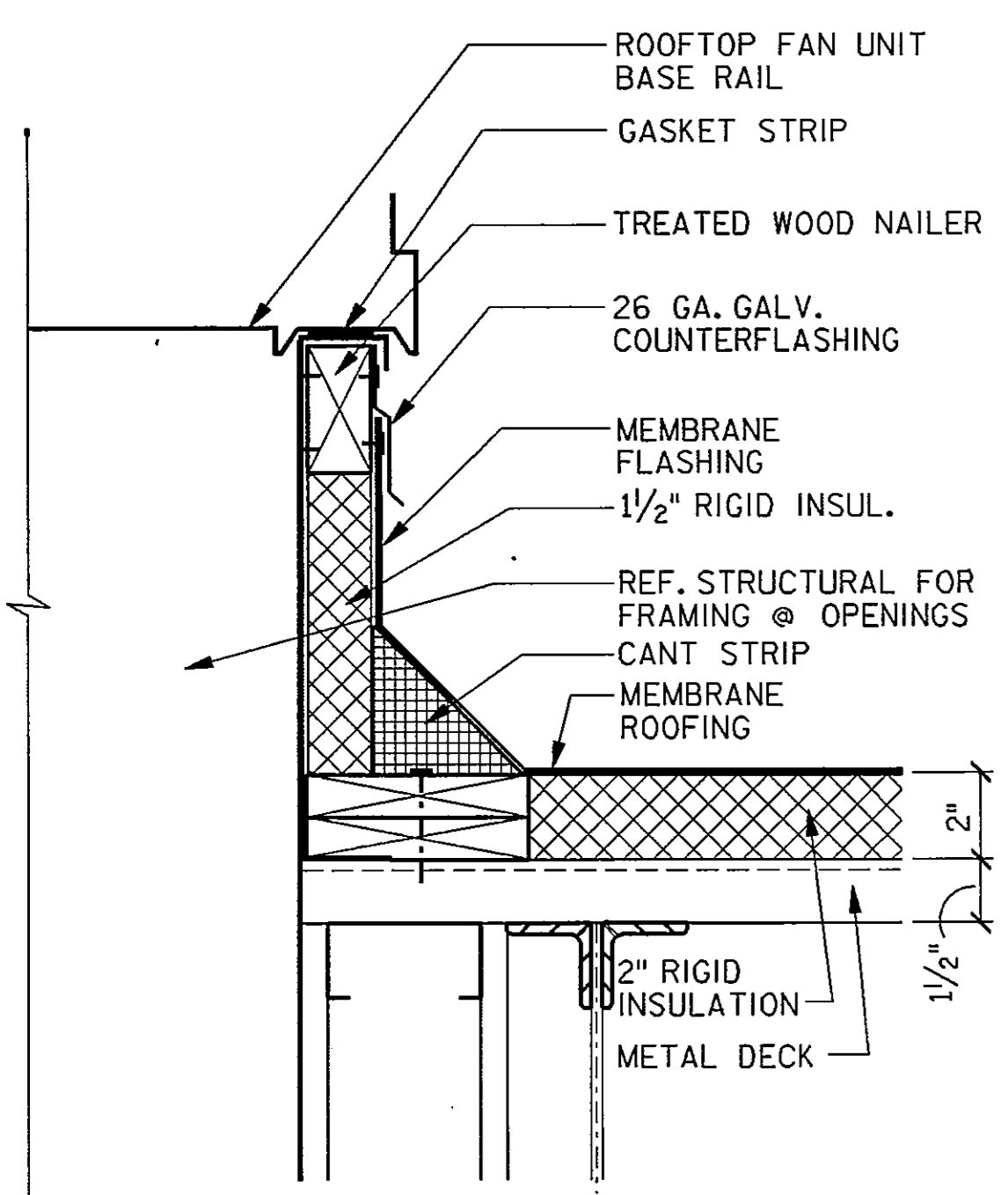
2 ROOF DRAIN DETAIL
SCALE: 1 1/2" = 1'-0"



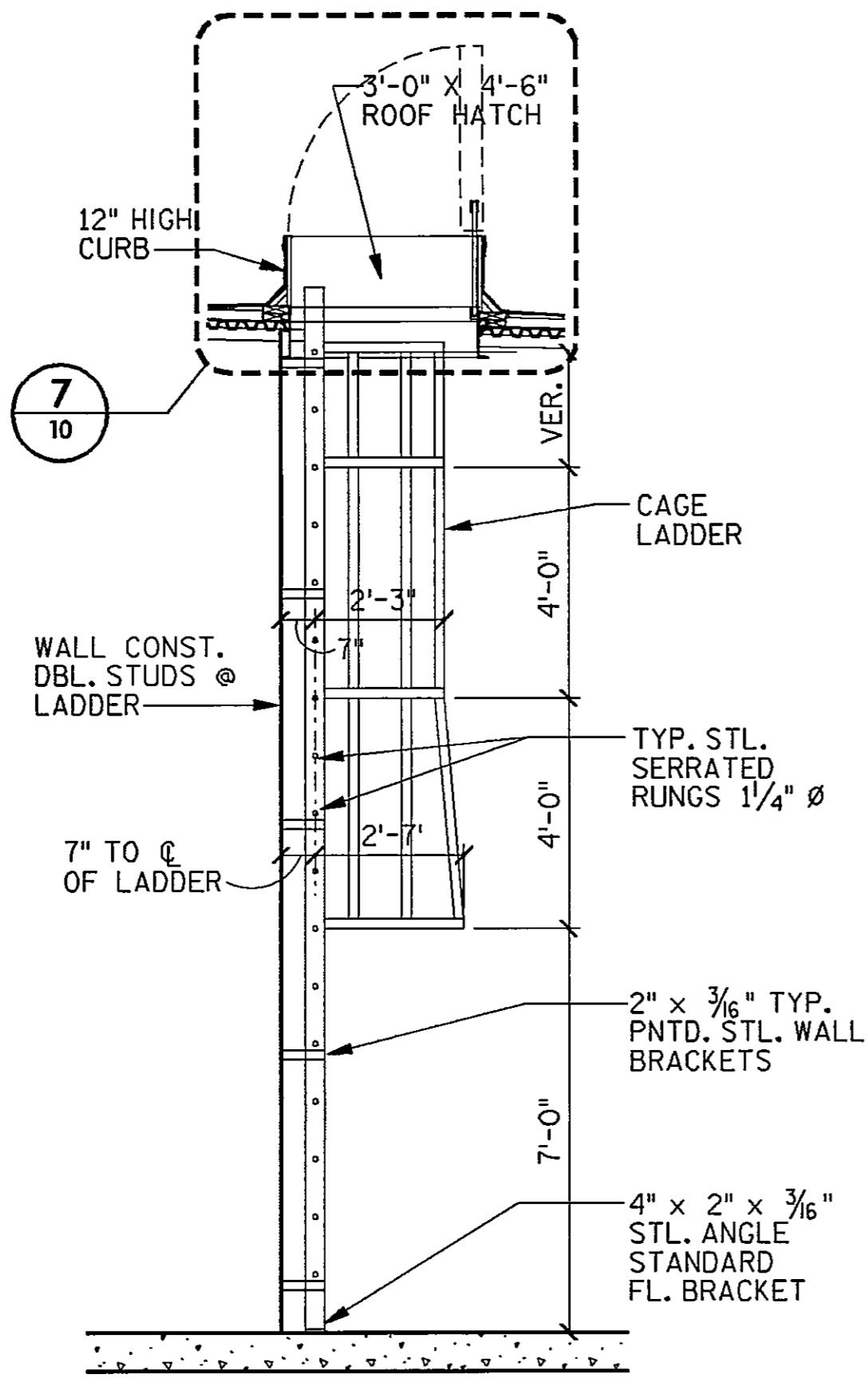
3 CURB DETAIL
SCALE: 1 1/2" = 1'-0"



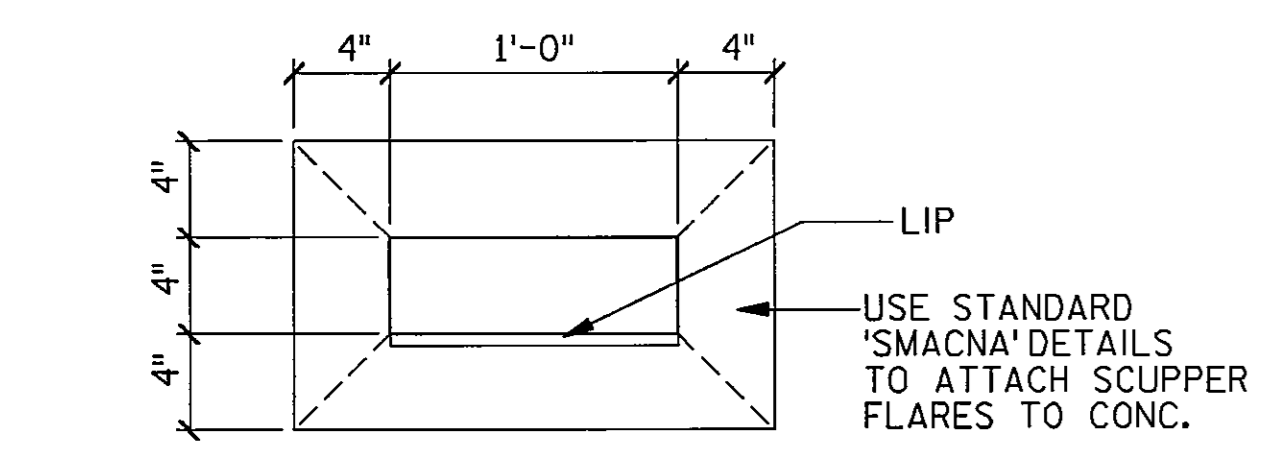
4 VENT PENETRATION DETAIL
SCALE: 1 1/2" = 1'-0"



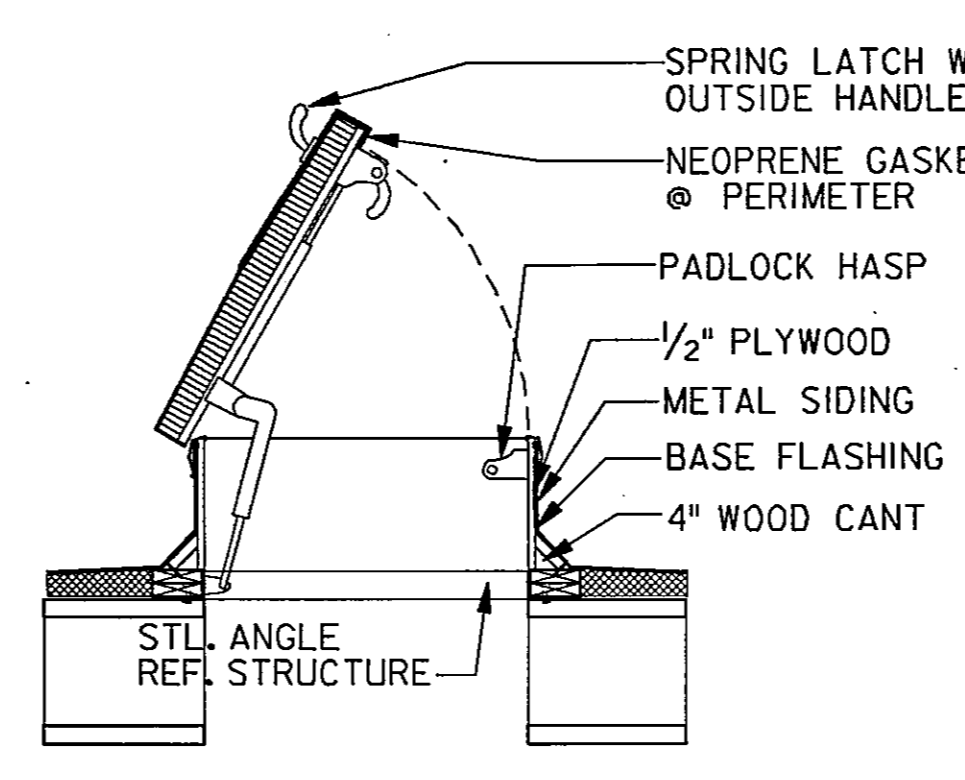
5 ROOF CURB DETAIL
SCALE: 3" = 1'-0"



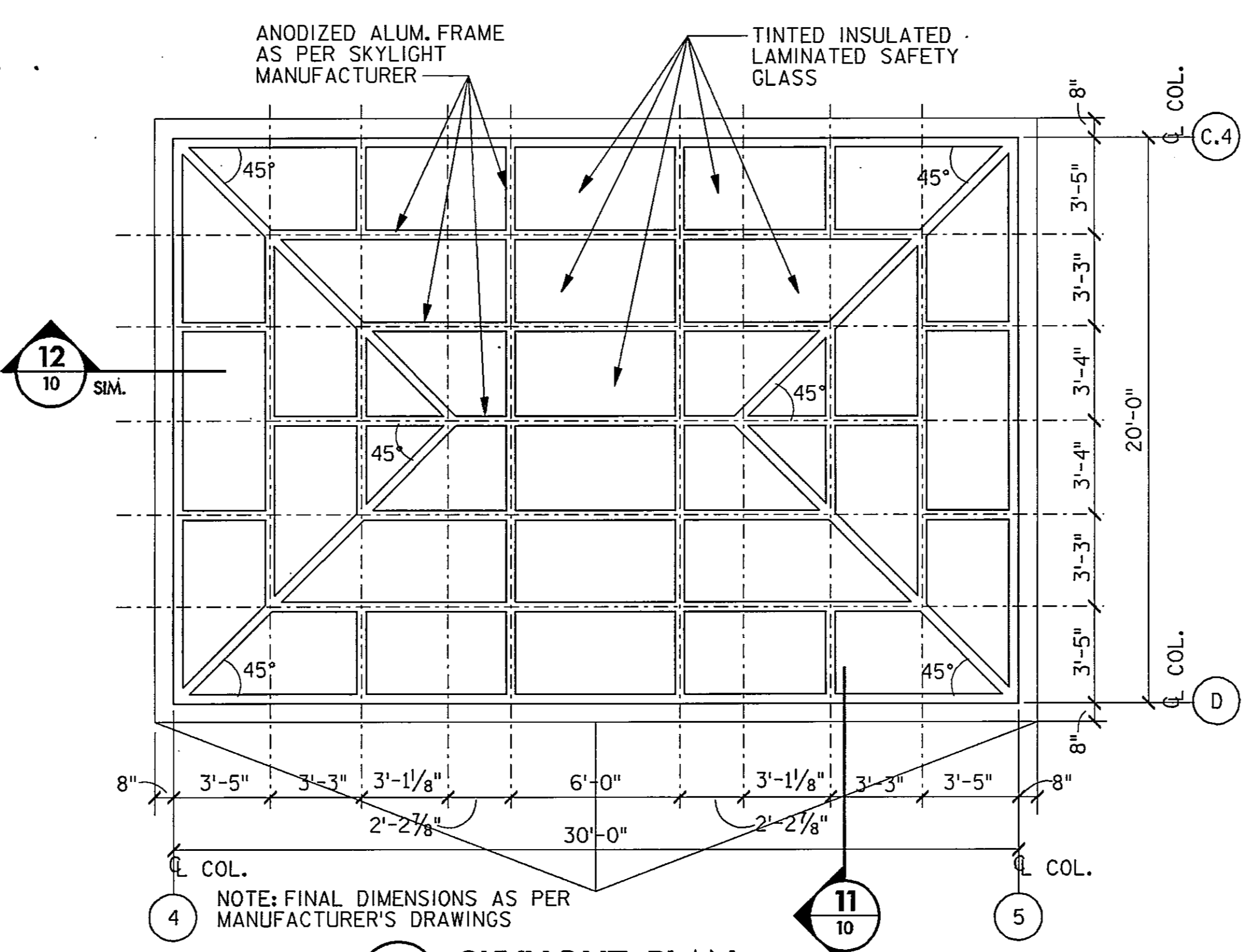
6 CAGE LADDER
SCALE: 3/8" = 1'-0"



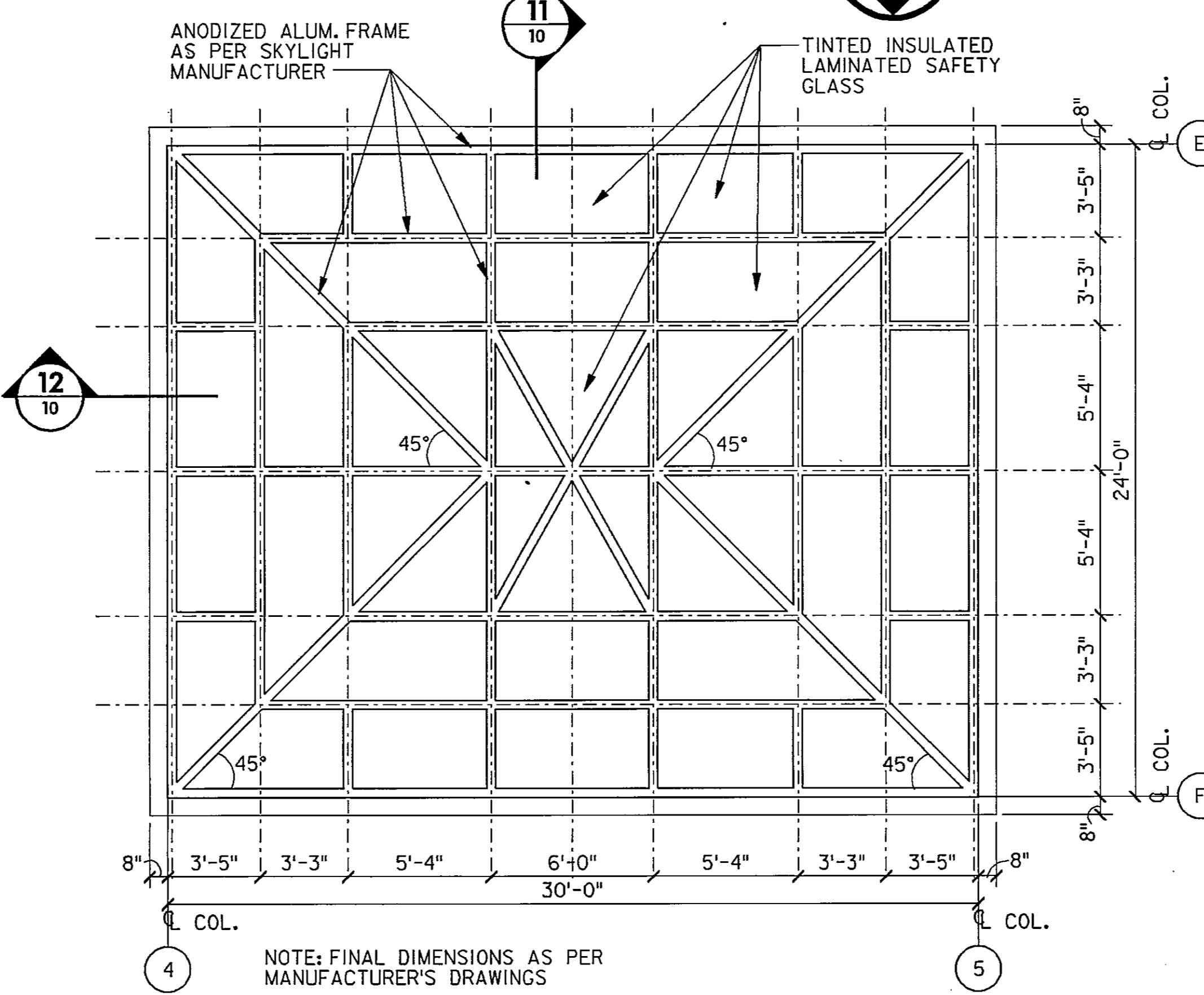
13 FRONT VIEW - SCUPPER
SCALE: 1-1/2" = 1'-0"



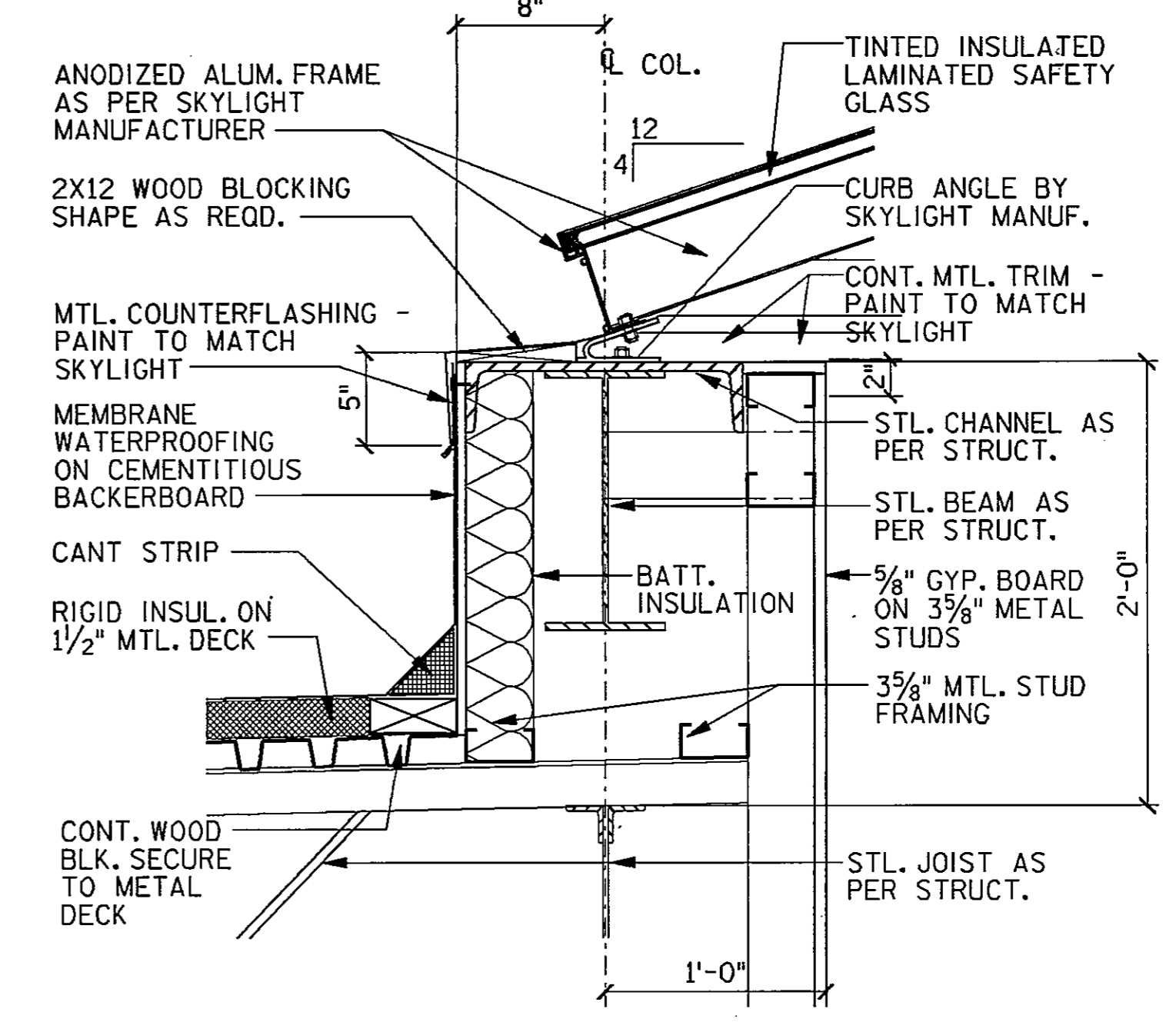
7 SCUTTLE DETAIL
SCALE: 1/2" = 1'-0"



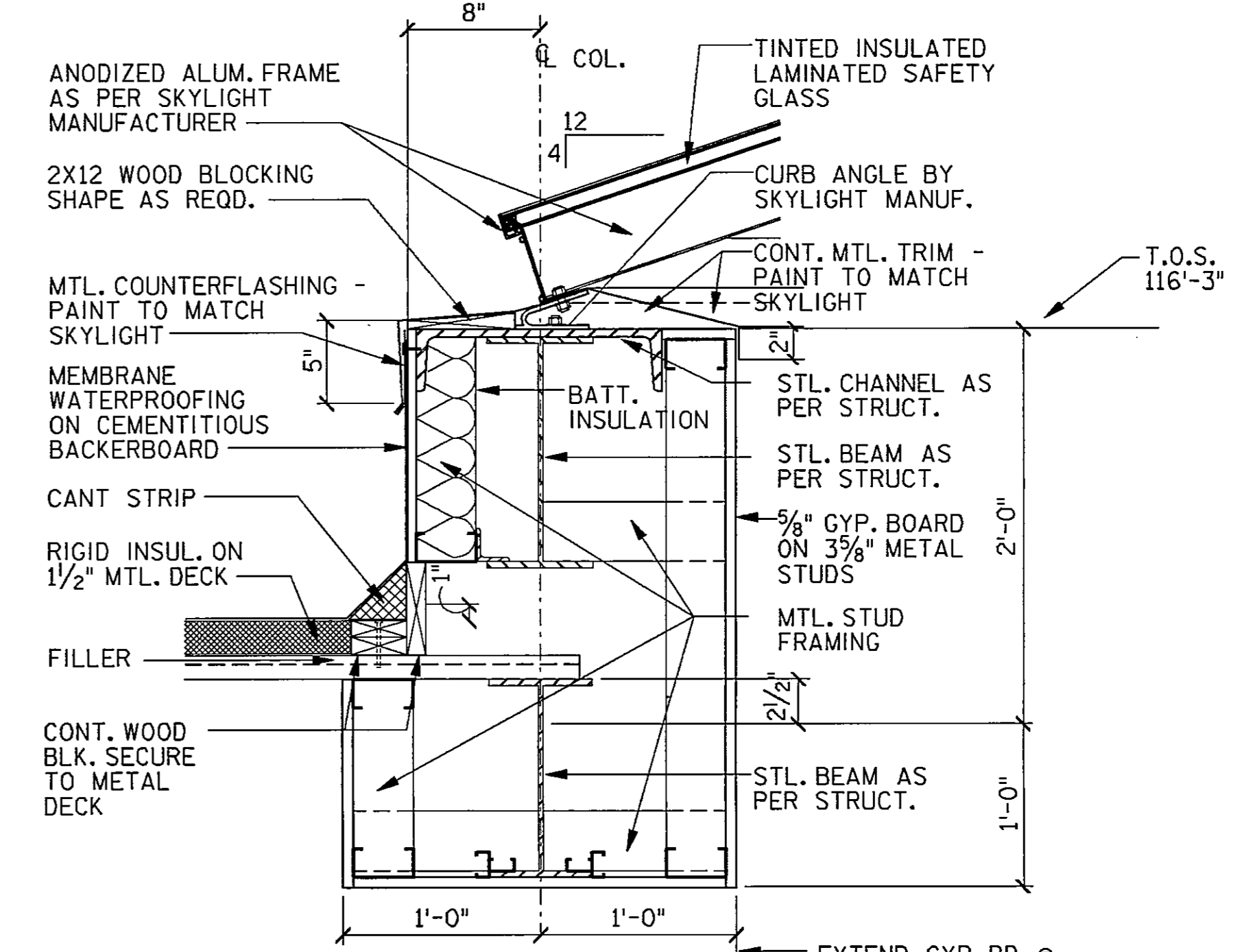
8 SKYLIGHT PLAN
SCALE: 1/4" = 1'-0"



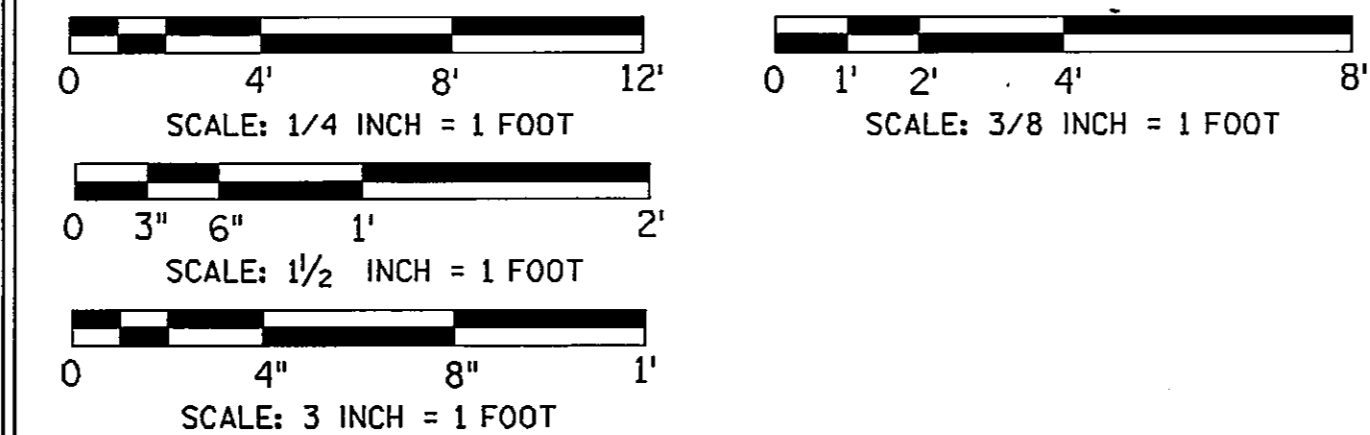
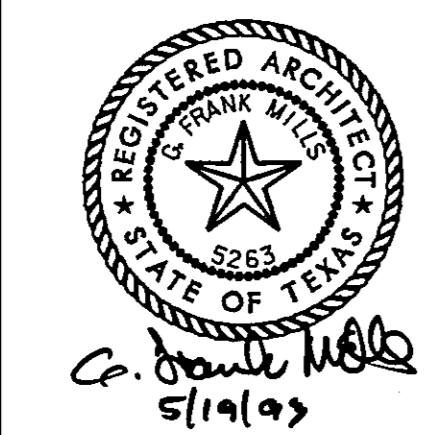
9 SKYLIGHT PLAN
SCALE: 1/4" = 1'-0"



11 CURB DETAIL
SCALE: 1-1/2" = 1'-0"



12 CURB DETAIL
SCALE: 1-1/2" = 1'-0"



ARCHITECTS & ENGINEERS
YANDELL, HILLER & CO., INC.
512 MAIN ST., SUITE 1500
FORT WORTH, TEXAS 76102-3922
(817) 335-3000 FAX (817) 335-1025

Drawing Title ROOF & SKYLIGHT DETAILS ARCHITECTURE		Project Title V.A. OUTPATIENT CLINIC		Date 5-19-93	YH #904600
Approved Area Project Manager		Building Number 4303	Checked AP	Project No. 635-085	DRAWING NO. 10
Location LAWTON, OK				Dwg. 10 OF 19	

